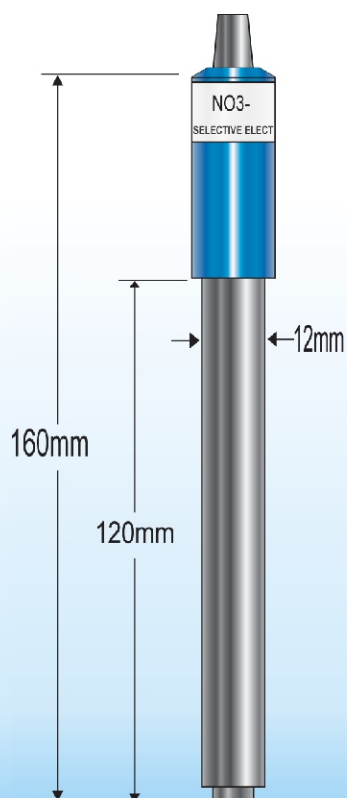


HOTEC

銨離子選擇電極 ,ION electrode [HC4-NO3]



HC4-NO3

規 格 (Specifications):

型 號 (Model)	HC4-NO3
量測範圍 (Measure range)	0.00 ~ 10000 ppm
精 確 度 (Accuracy)	± 2% full scale
參考系統 (REF electrode)	Double junction
參考電解液 (REF electrolyte)	(NH ₄) ₂ SO ₄
溫度補償 (Temp. Comp.)	ATC Probe NTC-5K for 25°C
電極斜率 (Electrode slope)	58 ± 2 mV decade
操作溫度 (Oper.Temp.)	0 to 50°C
干 擾 源 (Interferences)	ClO ₄ -1, I-1, CN-1, BF ₄ -1, Cl-, NO ₂ -
使用壓力 (Pressure range)	0 to 30 PSI
酸鹼範圍 (PH range)	2.5 to 11 PH
輸入阻抗 (Resistance)	About to 200KΩ
保存方式 (Storage)	Long term, store dry Short term, store in dilute nitrate standard
應用使用 (Application)	Surface Waters, Sewage Effluent Drinking Waters Soil Extracts, Fertilizers, Soils, Plant Tissue,
防水等級 (Enclosure)	IP-68