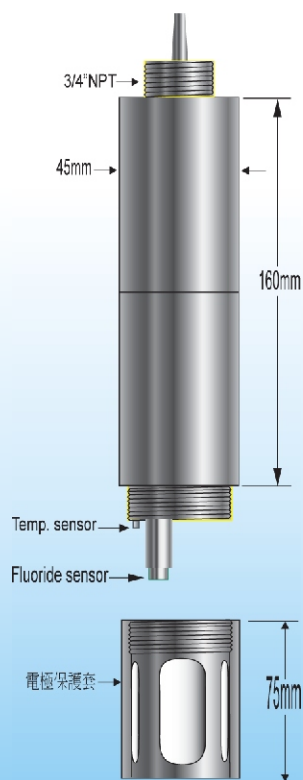


HOTEC

工業用氟離子電極-Fluoride sensor-[HC-FLU]

廠牌: HOTEC INS [U.S.A]

型號: HC-FLU



HC-FLU

規格 (Specifications):

型號 (Model)	HC-FLU
量測範圍 (Measure range)	0.00 ~ 1000 ppm
精確度 (Accuracy)	± 4% full scale
參考系統 (REF electrode)	Double junction
參考電解液 (REF electrolyte)	KCl
溫度補償 (Temp. Comp.)	ATC Probe NTC-5K for 25°C
電極斜率 (Electrode slope)	58 ± 2 mV decade
操作溫度 (Oper.Temp.)	0 to 80°C
干擾源 (Interference s)	OH ⁻¹
使用壓力 (Pressure range)	0 to 30 PSI
酸鹼範圍 (PH range)	5 to 8 PH
輸入阻抗 (Resistance)	About to 200KΩ
保存方式 (Storage fluoride)	Long term: store dry Short term: store in dilute fluoride standard
應用使用 (Application fluoride)	Drinking water, wastewater and natural waters.
防水等級 (Enclosure)	IP68